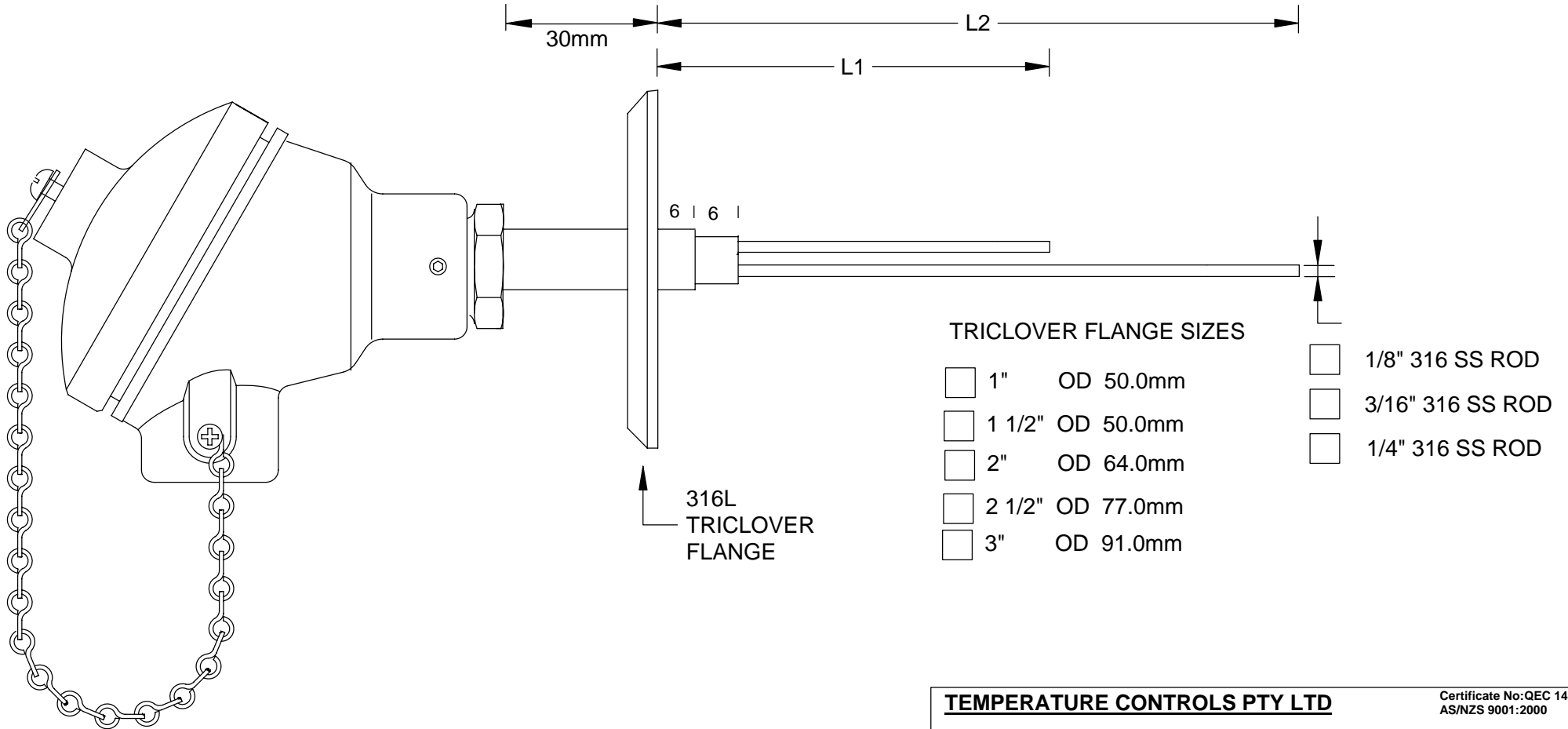


**CONDUCTIVITY LEVEL PROBE**  
**APPLICATION - NON - CONDUCTIVE TANK - SINGLE ALARM**  
**APPLICATION - CONDUCTIVE TANK - DUAL LEVEL CONTROL**



**PROCESS CAPABILITIES**

- MUST BE USED WITH CONDUCTIVITY CONTROLLER
- PROBE DIA 1/8" OR 3/16" OR 1/4" 316 S/S STANDARD
- SUITABLE FOR UNPRESSURISED APPLICATIONS ONLY

**TEMPERATURE CONTROLS PTY LTD**

Certificate No: QEC 14412  
AS/NZS 9001:2000

**CONDITIONS**

THIS DRAWING IS OUR EXCLUSIVE PROPERTY AND MUST NOT BE COPIED OR HANDED TO ANY OTHER PARTIES WITH OUT WRITTEN PERMISSION. IT SHALL BE RETURNED UPON REQUEST

SYDNEY : 7 YAMMA ST SEFTON , NSW 2162  
PHONE : (02) 9721 8644 FAX : (02) 9738 9339  
MELBOURNE : 8 / 280 WHITEHALL ST  
YARRAVILLE VIC 3013  
PHONE : (03) 9687 0000 FAX : (03) 9687 1900  
EMAIL : sales@temperature.com.au



TITLE

SIZE : A4	DATE : 27/01/11	<b>DWG NO : SD 444</b>
SCALE : NTS	DRAWING BY R.B	<b>REV : 01</b>